



hopeSun60 ~ 110KTL



High-efficiency

- 4 MPPTs with Max. efficiency 99.0%
- 20A input current, compatible with 210mm panels
- Night SVG function (optional)



User Friendly

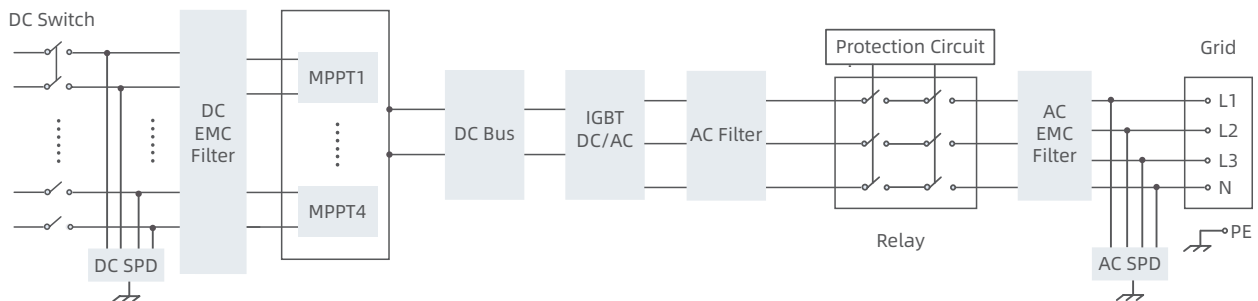
- Built-in zero export function interface
- Touch free commissioning via APP
- AC and DC redundant power supply



Reliability

- Smart air cooling
- Built-in Type II DC&AC SPD
- Built-in PID recovery function (optional)

Topological Graph



Technical Parameters

Model	hopeSun 60KTL	hopeSun 70KTL	hopeSun 75KTL	hopeSun 100KTL	hopeSun 110KTL
DC Input					
Max. Input Voltage	1100V				
Starting Voltage	180V				
MPPT Voltage Range	200 ~ 1000V				
MPPT Range Full Load	520 ~ 850V	600 ~ 850V		550 ~ 850V	
Max. Input Current Per MPPT	45A / 45A / 45A / 45A			65A / 65A / 65A / 65A	
Max. Short-circuit Current	60A / 60A / 60A / 60A			100A / 100A / 100A / 100A	
Number of DC Inputs	3 / 3 / 3 / 3		4 / 3 / 3 / 4		5 / 5 / 5 / 5
Number of MPP Trackers	4				
AC Output					
Rated Output Power	60kW	70kW	75kW	100kW	110kW
Max. Output Power	66kW	77kW	82.5kW	110kW	121kW
Rated Output Voltage	230V / 400V (3P + N + PE)				
Operating Voltage Range	300 ~ 480V				
Rated Output Current	86.5A	101A	108.3A	144A	158.8A
Max. Output Current	95A	111A	119A	158.8A	174.6A
Rated Grid Frequency	50Hz / 60Hz				
Power Factor	>0.99 (0.8 leading ~ 0.8 lagging)			>0.99 (0.9 leading ~ 0.9 lagging)	
Harmonic (THD)	<3% (at rated power)				
Efficiency					
Max. Efficiency	98.85%	99.00%			
European Efficiency	98.51%		98.52%		
Protection					
Surge Protection	DC type II / AC type II				
Insulation Impedance Detection	Yes				
Residual Leakage Current Detection	Yes				
PV String Fault Detection	Yes				
PV Reverse Polarity Protection	Yes				
Anti-Islanding Protection	Yes				
Output Overcurrent Protection	Yes				
DC Switch	Yes				
Zero Export Function	Yes				
General Parameters					
Dimensions (W*H*D)	705*650*285mm			800*680*330mm	
Weight	≤75kg			≤89kg	
Protection Degree	IP65				
Operating Temperature Range	-40 ~ +60°C				
Cooling System	Smart air cooling				
Standby Power Consumption	<1W			<5W	
Topology	Transformerless				
Operating Altitude	4000m (>3000m derating)				
Display	LED, WLAN + APP				
Communication	RS485 / Wi-Fi				
DC Connection Type	MC4				
AC Connection Type	OT / DT terminal				

